

## ZQ-CK20 SPECIFICATIONS



Version: A  
Date: 2022-10-17

# Index

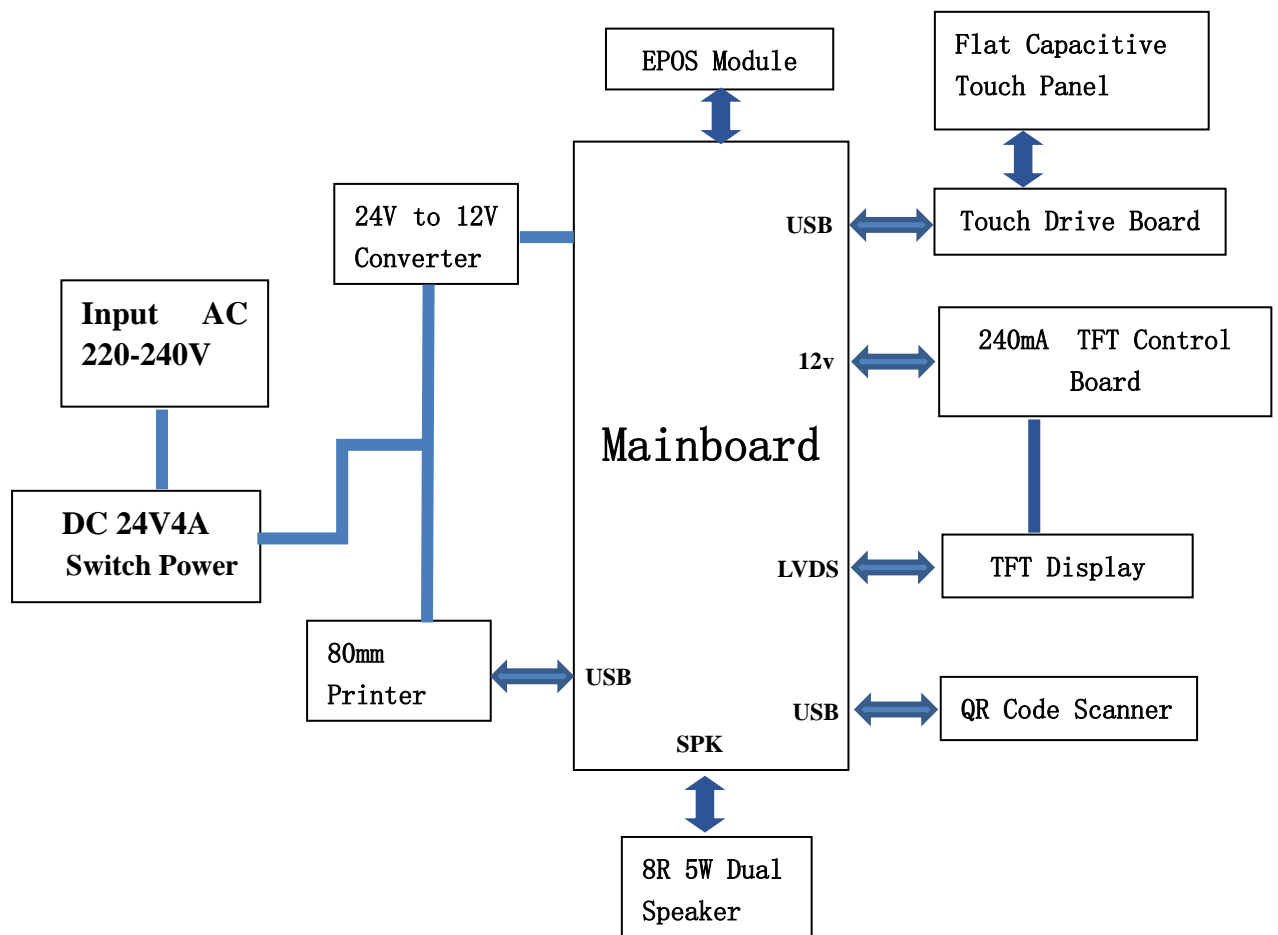
|     |  |   |
|-----|--|---|
| 1   | Introduction.....  | 3 |
| 1.1 | Description.....   | 3 |
| 1.2 | Diagram.....   | 3 |
| 2.  | Specifications.....  | 4 |
| 3.  | Dimensions.....  | 6 |
| 4   | Internal Test.....   | 7 |
| 5   | Packing & Parts.....   | 8 |
| 8   | Transportation environment, work environment, storage environment..... | 8 |

## 1. Introduction

### 1.1 Description

The intelligent terminal is widely used in self-service cash register in retail stores, restaurants, cinemas, convenience stores and other industries, and provides intelligent commercial self-service equipment with advantages such as high-definition LCD display, capacitive touch, commodity scanning, network payment, POS payment, bill printing, etc.

### 1.2 Diagram



## 2. Specifications

| Name             | Item             | Specification                                      |
|------------------|------------------|--|
| X86<br>Mainboard | CPU              | Intel Celeron J6412 Base Frequency 2.0G, Quad-core |
|                  | RAM              | 4G DDR4 , up to 32G                                |
|                  | ROM              | 128G SSD , 1*Msata/1*M.2                           |
|                  | Network          | 1000M  |
|                  | Extend Port      | 2xUSB2.0   |
|                  | Operating System | Windows10/11, Linux                                |
|                  | Power Supply     | DC12V  |
|                  | CPU Heat Sink    | Aluminum huosing                                   |

|             |               |  |
|-------------|---------------|--|
| Screen      | Screen Size   | 21.5" (16:9)   |
|             | Solution      | TFT LED  |
|             | Resolution    | 1920×1080  |
|             | Brightness    | 250 cd/m   |
|             | Viewing Angle | 88/88/88/88 (left/right/up/down)                                       |
|             | Response Time | 20 ms  |
| Touch Panel | Solution      | 21.5" flat capacitive touch, 3-points as default, 10-points as maximum |
|             | Interface     | USB  |
|             | Structure     | Glass+Glass  |
|             | Tempering     | Chemical   |
|             | Hardness      | >6H  |
|             | Transmittance | ≥86%   |

|         |                |                              |   |
|---------|----------------|------------------------------|---|
| Printer | Solution       | Direct thermal line printing |   |
|         | Resolution     | 203 dpi                      |   |
|         | Printing Speed | 150mm\S 、 180 mm\S (max)     |   |
|         | Printing Width | 72mm                         |   |
|         |                | Paper Type                   | Thermal paper   |
|         |                | Paper Width                  | 79.5 ± 0.5 mm   |
|         |                | Paper Thickness              | 60~120um  |
|         | 纸卷             | Paper Roll                   | 80X80   |
|         |                | Paper Ending                 | Photoelectricity  |
|         |                | Paper Out                    | Photoelectricity  |
|         | 1D Barcode     |                              | PUC-A, UPC-E, JAN/EAN8, JAN/EAN13, CODE39, CODEBAR, CODE128, code93 |
|         | 2D Barcode     |                              | QR code   |

|  |               |                        |
|--|---------------|------------------------|
|  | Auto Cutter   | Full cut / partial cut |
|  | Printing Life | 100KM                  |
|  | Cutter Life   | 1000000 cuts           |
|  | Data Port     | USB                    |

| Scanner                 | Sensor  | COMS array sensor infrared scanning   |      |                |      |         |          |      |        |          |          |        |           |      |        |          |       |        |           |       |        |           |       |    |          |
|-------------------------|---|---|------|----------------|------|---------|----------|------|--------|----------|----------|--------|-----------|------|--------|----------|-------|--------|-----------|-------|--------|-----------|-------|----|----------|
|                         | Light Source  | LED red light (made in Germany)   |      |                |      |         |          |      |        |          |          |        |           |      |        |          |       |        |           |       |        |           |       |    |          |
|                         | Interface   | USB   |      |                |      |         |          |      |        |          |          |        |           |      |        |          |       |        |           |       |        |           |       |    |          |
|                         | Readable Density  | 0.102mm / 4mils   |      |                |      |         |          |      |        |          |          |        |           |      |        |          |       |        |           |       |        |           |       |    |          |
|                         | Motion Tolerance  | 2M/S  |      |                |      |         |          |      |        |          |          |        |           |      |        |          |       |        |           |       |        |           |       |    |          |
|                         | Decode  | <p>1D Barcode: Automatically distinguish and decode all standard one-dimensional codes, including GS1 DataBar™ Linear code</p> <p>QR code : Aztec Code; Data Matrix; Maxi Code; QR Code; HAN XIN; Micro QR Code</p> <p>Stack code: GS1 DataBar Expanded Stacked; GS1 DataBar Stacked; GS1 DataBar Stacked Omnidirectional</p> <p>GS1 DataBar Composite; MicroPDF417; PDF417</p> |      |                |      |         |          |      |        |          |          |        |           |      |        |          |       |        |           |       |        |           |       |    |          |
|                         | View Angle  | <p>Curling degree: 0 - 360° ;</p> <p>Distortion (deviation): ±60°</p> <p>Slope: ±60°</p>  |      |                |      |         |          |      |        |          |          |        |           |      |        |          |       |        |           |       |        |           |       |    |          |
| Decoding depth of field | <p>The minimum depth of field is determined by the barcode length and scanning angle. It depends on the printing resolution, contrast, and ambient light.</p> <table border="1" style="width: 100%; border-collapse: collapse;"> <thead> <tr> <th>Density</th> <th>Code</th> <th>Depth of Field</th> </tr> </thead> <tbody> <tr> <td>5mil</td> <td>CODE128</td> <td>0mm—70mm</td> </tr> <tr> <td>5mil</td> <td>EAN-13</td> <td>0mm—70mm</td> </tr> <tr> <td>13.34mil</td> <td>EAN-13</td> <td>0mm—240mm</td> </tr> <tr> <td>5mil</td> <td>PDF417</td> <td>5mm—60mm</td> </tr> <tr> <td>10mil</td> <td>PDF417</td> <td>0mm—170mm</td> </tr> <tr> <td>15mil</td> <td>PDF417</td> <td>0mm—280mm</td> </tr> <tr> <td>20mil</td> <td>DM</td> <td>5mm—80mm</td> </tr> </tbody> </table> | Density   | Code | Depth of Field | 5mil | CODE128 | 0mm—70mm | 5mil | EAN-13 | 0mm—70mm | 13.34mil | EAN-13 | 0mm—240mm | 5mil | PDF417 | 5mm—60mm | 10mil | PDF417 | 0mm—170mm | 15mil | PDF417 | 0mm—280mm | 20mil | DM | 5mm—80mm |
| Density                 | Code  | Depth of Field  |      |                |      |         |          |      |        |          |          |        |           |      |        |          |       |        |           |       |        |           |       |    |          |
| 5mil                    | CODE128   | 0mm—70mm  |      |                |      |         |          |      |        |          |          |        |           |      |        |          |       |        |           |       |        |           |       |    |          |
| 5mil                    | EAN-13  | 0mm—70mm  |      |                |      |         |          |      |        |          |          |        |           |      |        |          |       |        |           |       |        |           |       |    |          |
| 13.34mil                | EAN-13  | 0mm—240mm   |      |                |      |         |          |      |        |          |          |        |           |      |        |          |       |        |           |       |        |           |       |    |          |
| 5mil                    | PDF417  | 5mm—60mm  |      |                |      |         |          |      |        |          |          |        |           |      |        |          |       |        |           |       |        |           |       |    |          |
| 10mil                   | PDF417  | 0mm—170mm   |      |                |      |         |          |      |        |          |          |        |           |      |        |          |       |        |           |       |        |           |       |    |          |
| 15mil                   | PDF417  | 0mm—280mm   |      |                |      |         |          |      |        |          |          |        |           |      |        |          |       |        |           |       |        |           |       |    |          |
| 20mil                   | DM  | 5mm—80mm  |      |                |      |         |          |      |        |          |          |        |           |      |        |          |       |        |           |       |        |           |       |    |          |

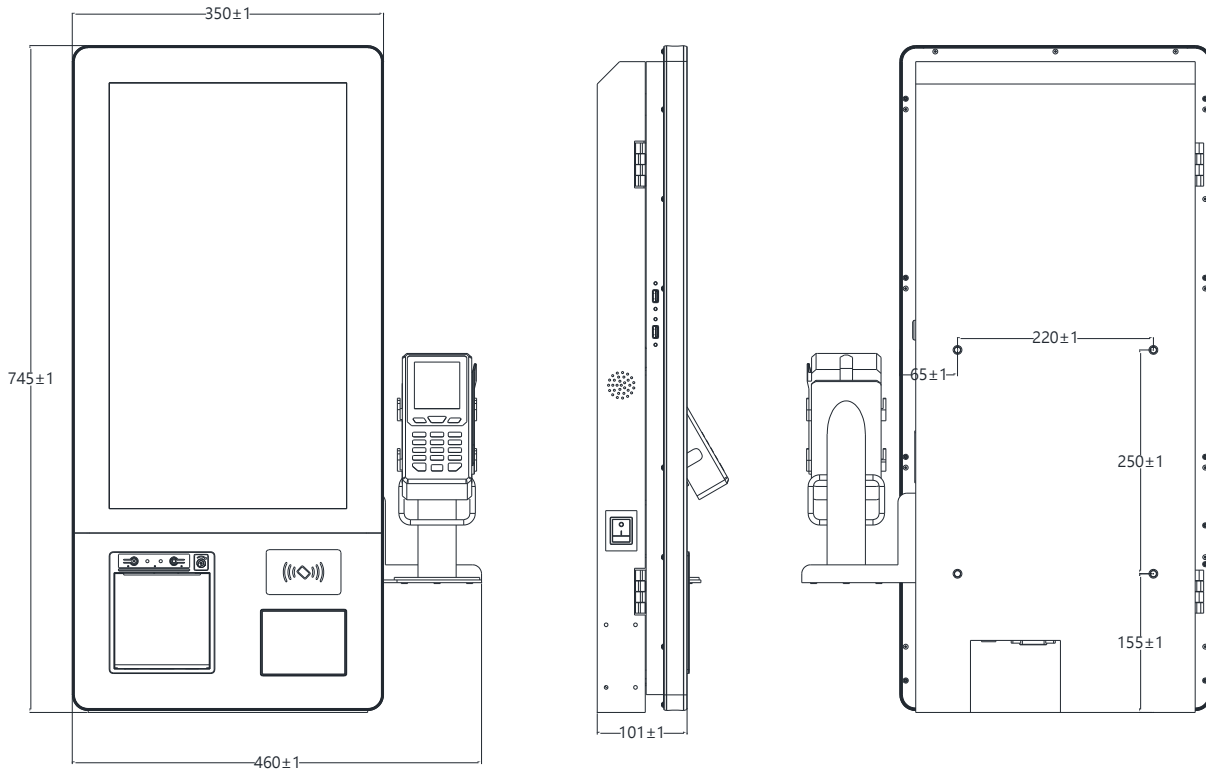
|              |        |                             |
|--------------|--------|-----------------------------|
| EPOS Bracket | Fixing | Clamping in four directions |
|              | Angle  | Adjustable                  |

|         |                 |                            |
|---------|-----------------|----------------------------|
| Speaker | Power           | 5W dual speakers           |
|         | Volume          | SPK port, adjustable in OS |
|         | Frequency Range | 150Hz~20KHz                |

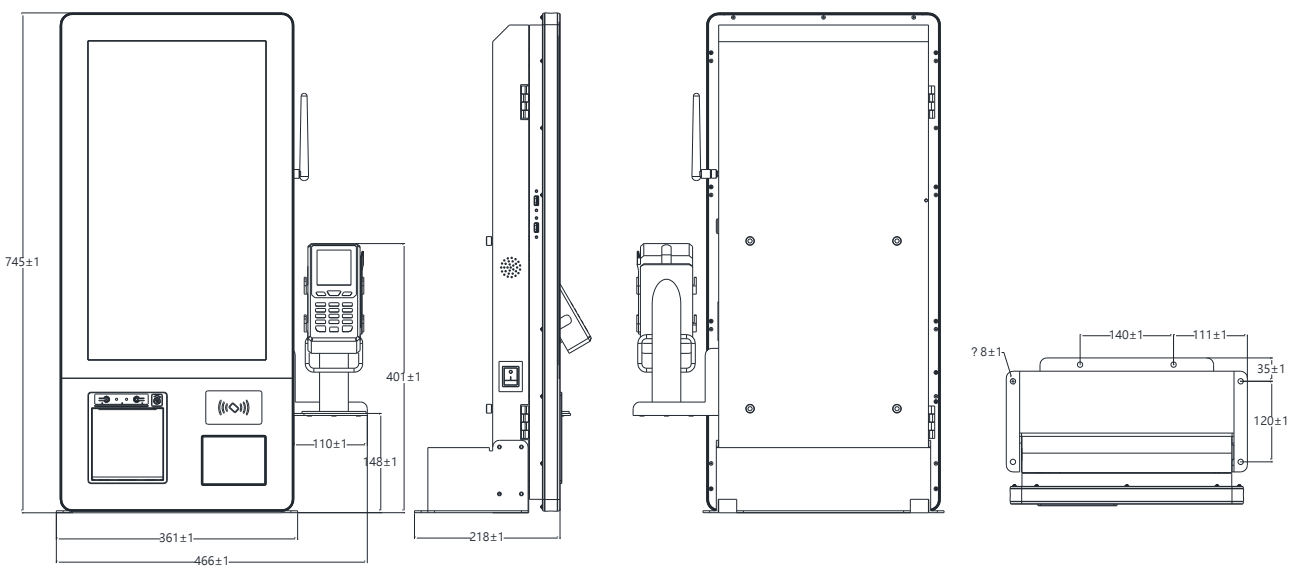
|                          |                         |
|--------------------------|-------------------------|
| Input Power              | AC 100-240V~ 50/60Hz 2A |
| Package for Host Machine | 795x262x420mm           |
| Gross Weight             | 19KG (approx.)          |

## 3. Dimensions

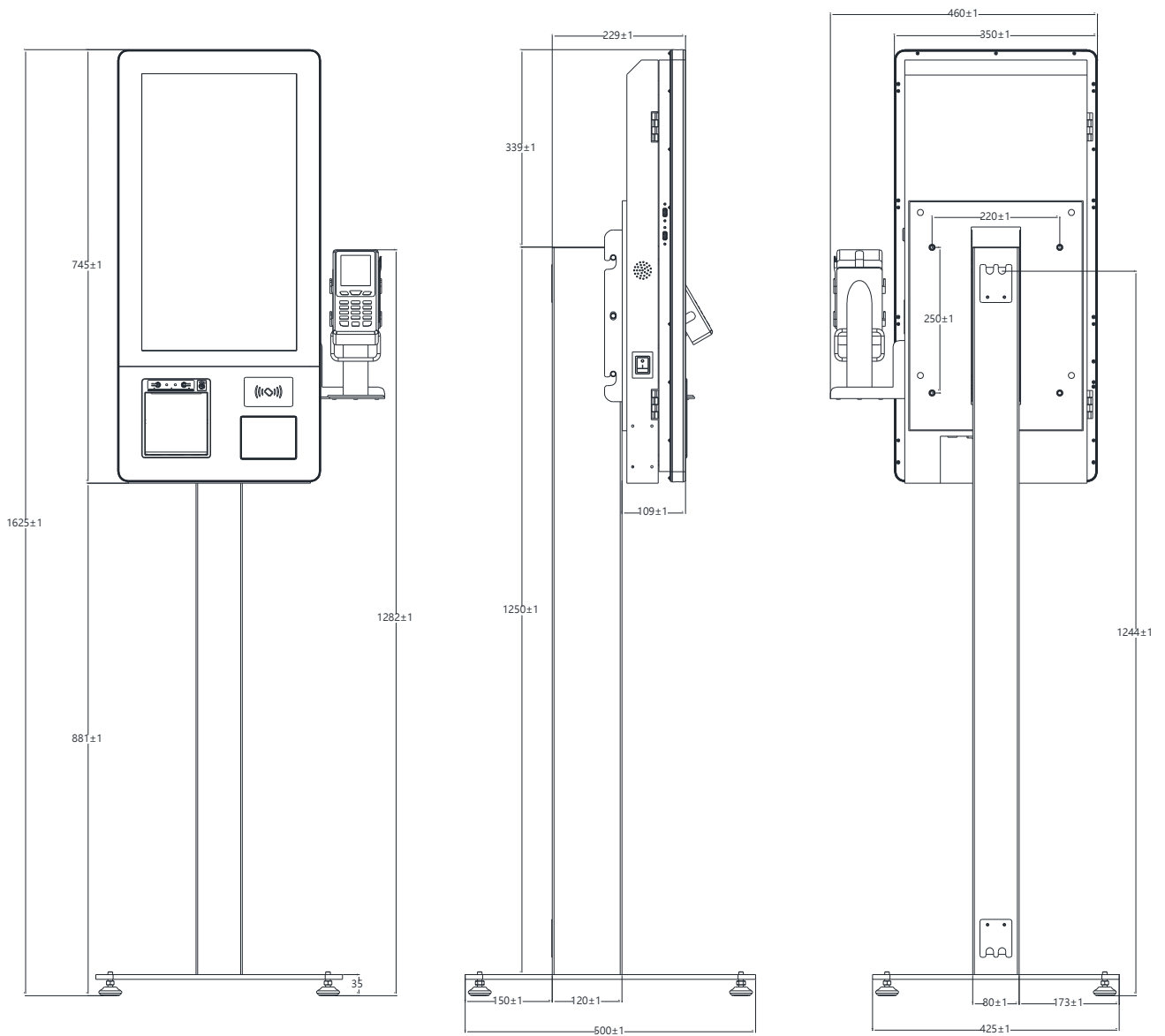
### 1. Host Machine



### 2. Host Machine with EPOS Bracket



### 3. Host Machine with Ground Stand



## 4 Internal Test

| Item         | Result | Description |
|--------------|--------|-------------|
| General Test | Pass   |             |
| EMC          | Pass   |             |
| Reliability  | Pass   |             |
| Environment  | Pass   |             |
| Safety       | Pass   |             |

## 5 Packing & Parts



AC Plug



Manual



Thermal Paper



CD Disc



Printer Cover Key



Screws

## 8 Transportation environment, work environment, storage environment

Temperature:  $-20\sim 60^{\circ}\text{C}$ , Humidity:  $5\%\sim 85\%\text{RH}$

Vibration Test: - IEC60721-3-2 Class 2M2

Operation Environment: Temperature  $0\sim 40^{\circ}\text{C}$ , Humidity  $35\%\sim 85\%\text{RH}$ , No condensation

Storage Environment: Temperature  $-10\sim 50^{\circ}\text{C}$ , Humidity  $15\%\sim 90\%\text{RH}$ , No condensation